

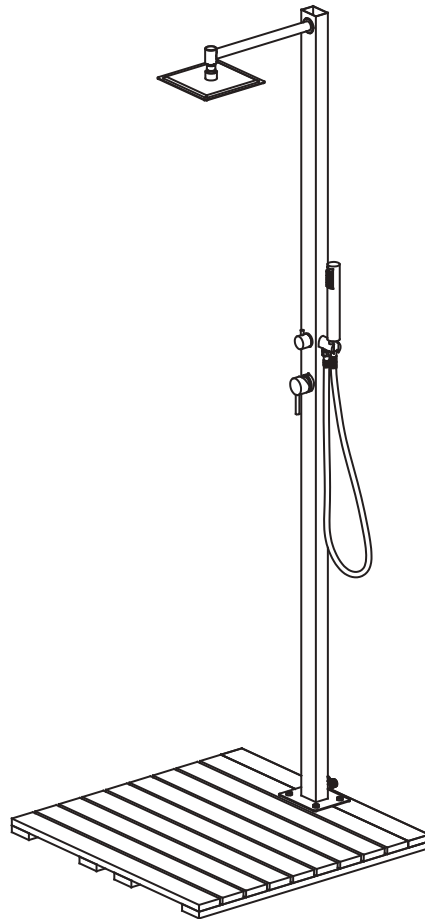
# USER MANUAL



Thank you for choosing Better Bathrooms.  
Please read this manual before installing your product  
and keep for future reference.

**better**   
**bathrooms**

## Black Outdoor Shower 2 Outlet - ZEN ZENMB



Please note: Image is for illustrative purposes only and may differ slightly to the actual product

- **Multi person assembly**
- **Tools required**
- **We always recommend using professional**
- **tradespeople to install your product**

V1\_08.27.24

# Congratulations on your purchase

*And welcome to our growing gang of savvy shoppers*

We're on a mission to bring you extraordinary bathroom products, for less. From modern to traditional style ceramics, plus the gorgeous fixtures, fittings and furniture to match. So, you can fall in love with your space every single day.

As one of the UK's largest independent bathroom stores, we've received countless awards; including the National Business Awards UK, the Digital Entrepreneur Awards and being placed on The Sunday Times Fast Track 100.

We hope your new product goes above and beyond your expectations. However, should any problems occur, please:

- log in to your account and contact our customer services team via your self-serve portal – [betterbathrooms.com/CustomerAccount/Login](https://betterbathrooms.com/CustomerAccount/Login)
- contact us via [betterbathrooms.com/content/contact-us](https://betterbathrooms.com/content/contact-us)

## Important information

Please read these instructions thoroughly and retain for future reference

Minimum Working Pressure 1 bar

Maximum Working Pressure 3 bar

Pressure MUST be balanced

Hot supply MUST be connected to the left-hand inlet of the mixer, indicated by the red sticker on the inlet and hose

All installation work must be carried out to comply with:

The Water Supply (Water Fittings) Regulations and Water Supply (Water Fittings) (Scotland) Byelaws

The system must be thoroughly flushed prior to installation

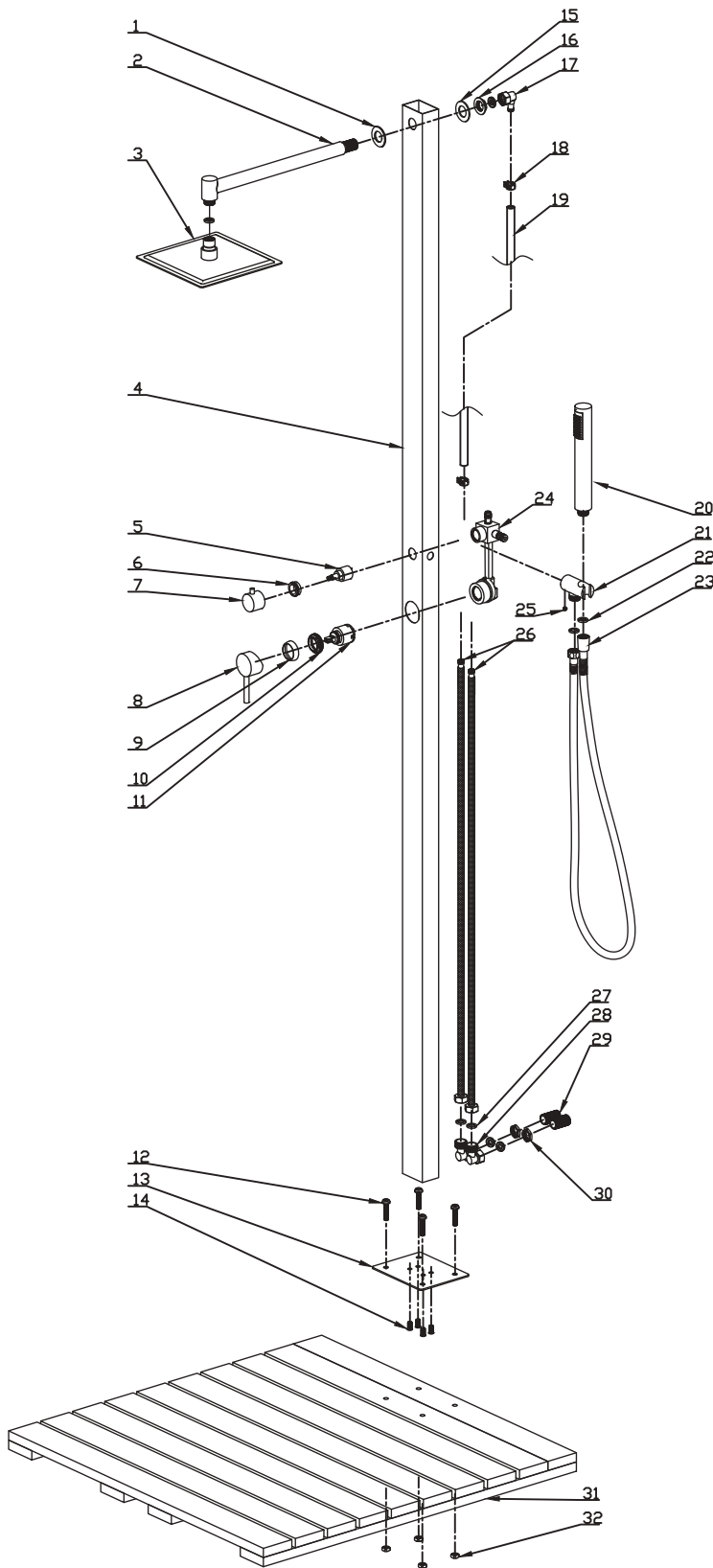
Product must be checked for damage prior to installation

Always check the installation area before drilling for pipes and cables

# Contents

- **Parts/ Diagrams-----4**
- **Tools required-----4**
- **Installation-----5**
- **Using-----9**
- **Troubleshooting-----9**
- **Cleaning-----10**

# Parts / Diagrams



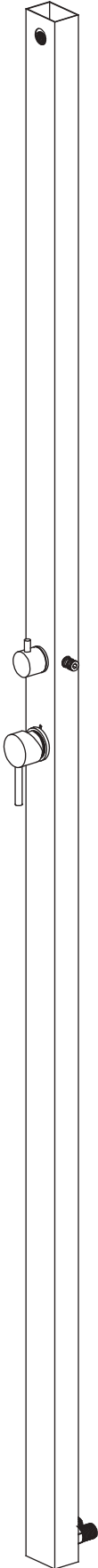
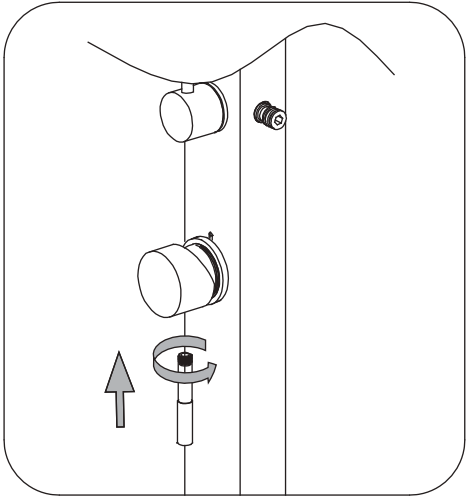
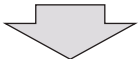
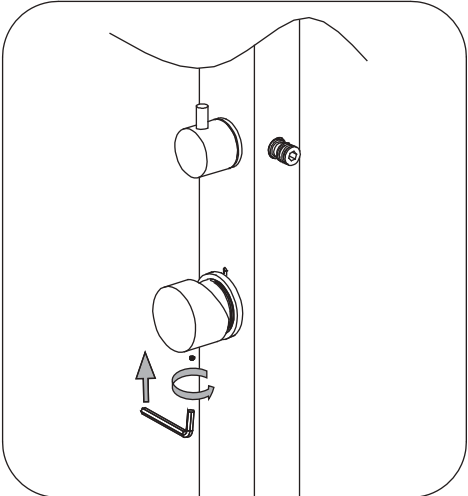
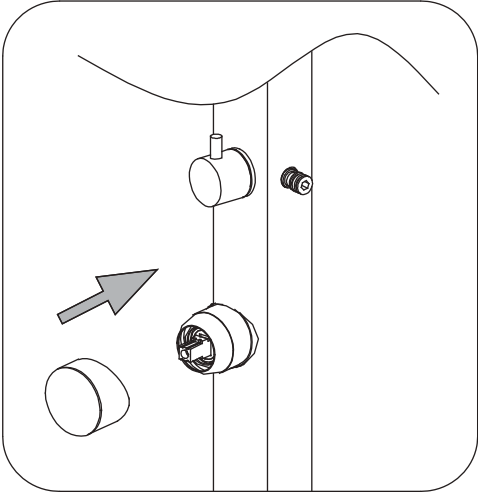
- 1.Decoration cover
- 2.Shower arm
- 3.Shower head
- 4.Body
- 5.Diverter
- 6.Diverter cover
- 7.Diverter handle
- 8.Mixer handle
- 9.Decoration cover
- 10.Cartridge cover
- 11.Hot&cold cartridge
- 12.Screw x4
- 13.Base
- 14.Screw x4
- 15.Washer
- 16.Hexagon nut
- 17.Connector
- 18.Clamps x2
- 19.Pipe
- 20.Handshower
- 21.Handshower holder
- 22.Seal gasket x2
- 23.Flexible hose
- 24.Mixer body
- 25.Jbcscrew
- 26.Water-in hose x2
- 27.Seal gasket x6
- 28.Connector x2
- 29.Brass pipe x2
- 30.Hexagon nut x2
- 31.WPC bottom
- 32.Nut x4

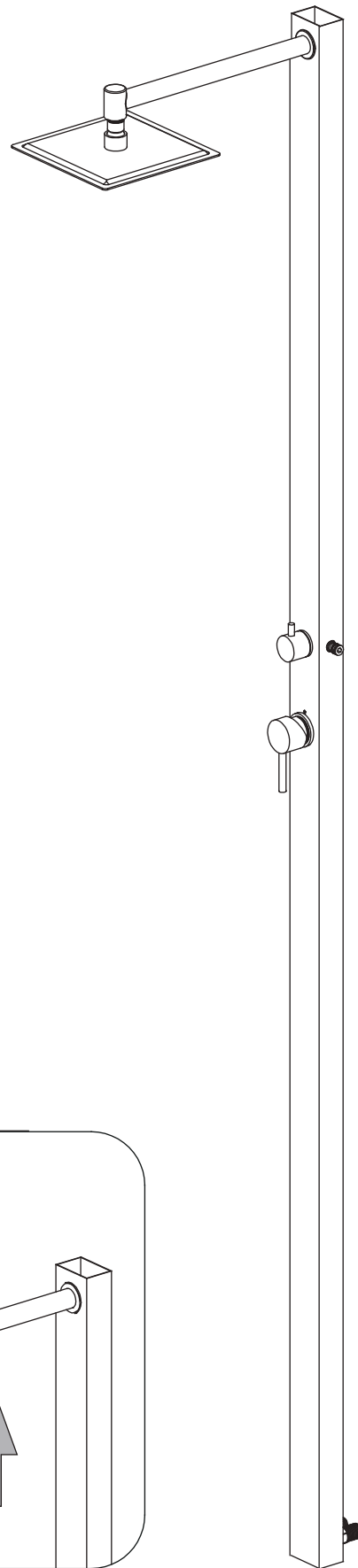
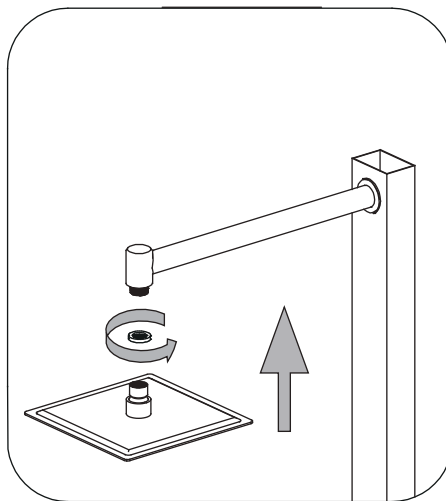
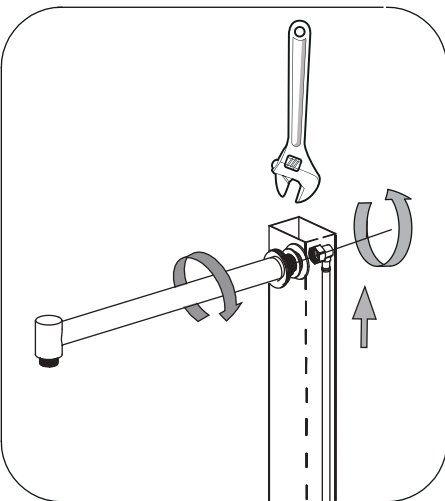
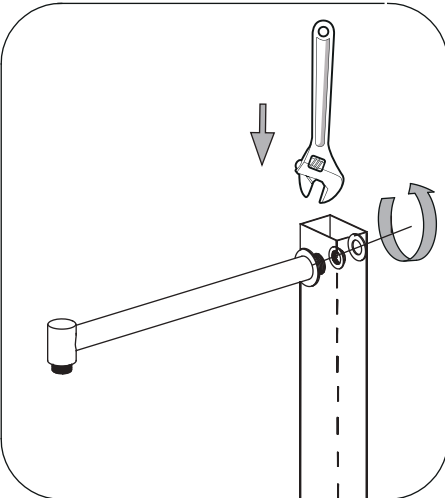
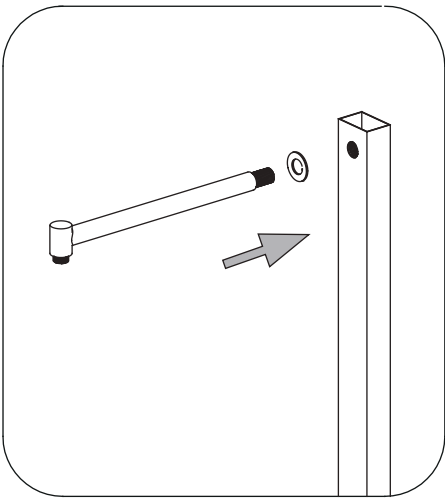
## Tools required

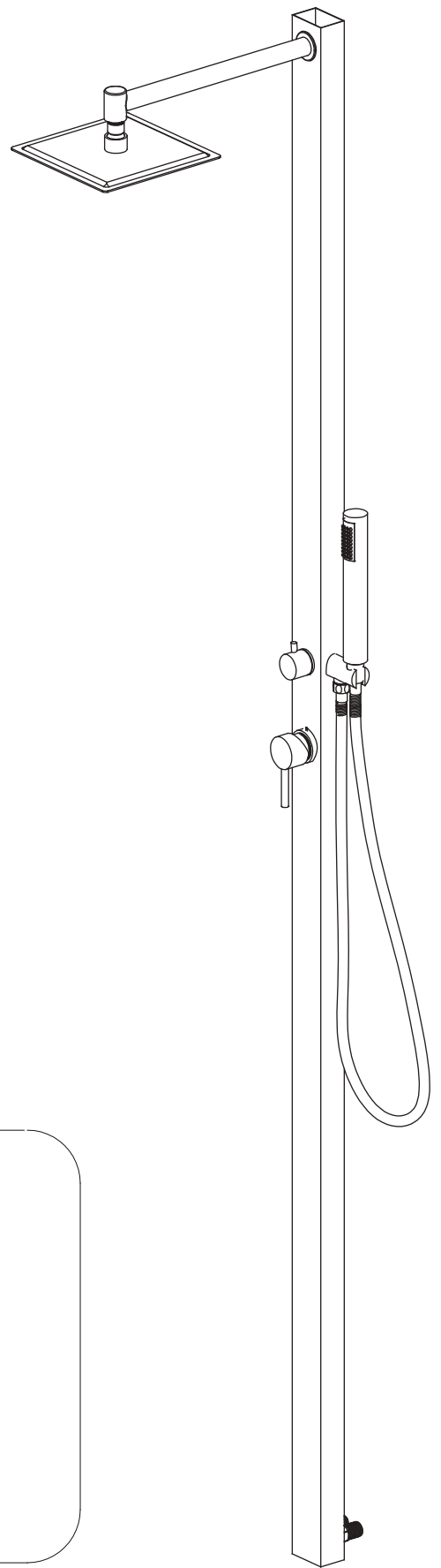
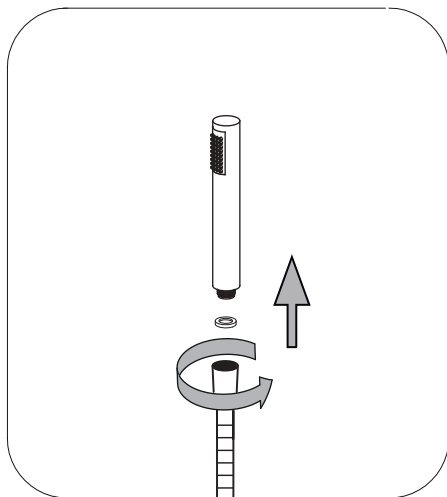
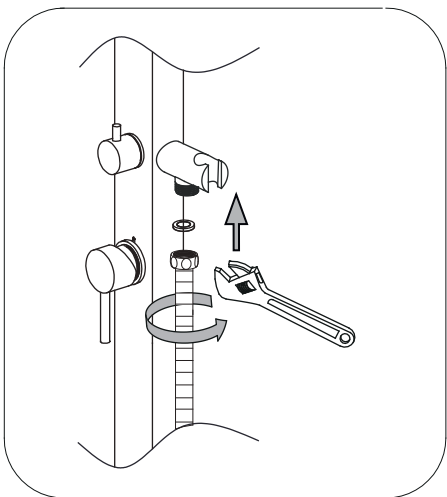
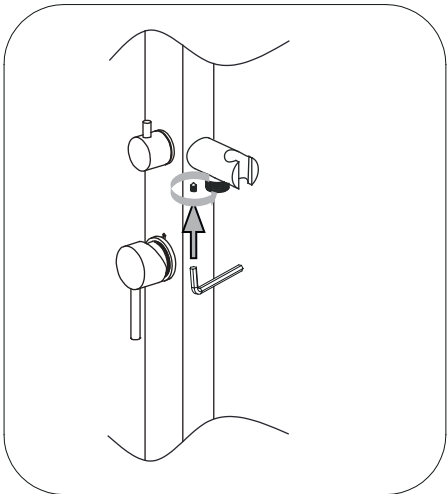
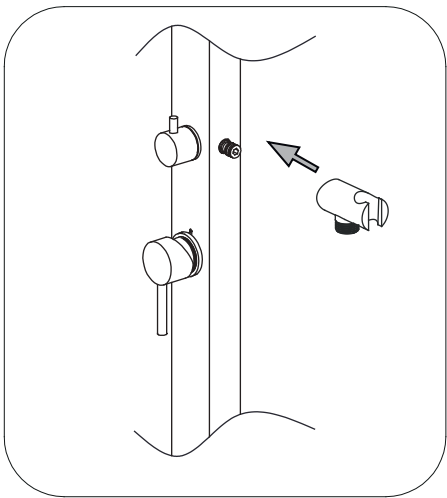
- Spanner
- Silicone
- Drill and drill bit
- Spirit Level
- Pencil
- Tape Measure
- Hammer
- Screwdriver
- Allen key

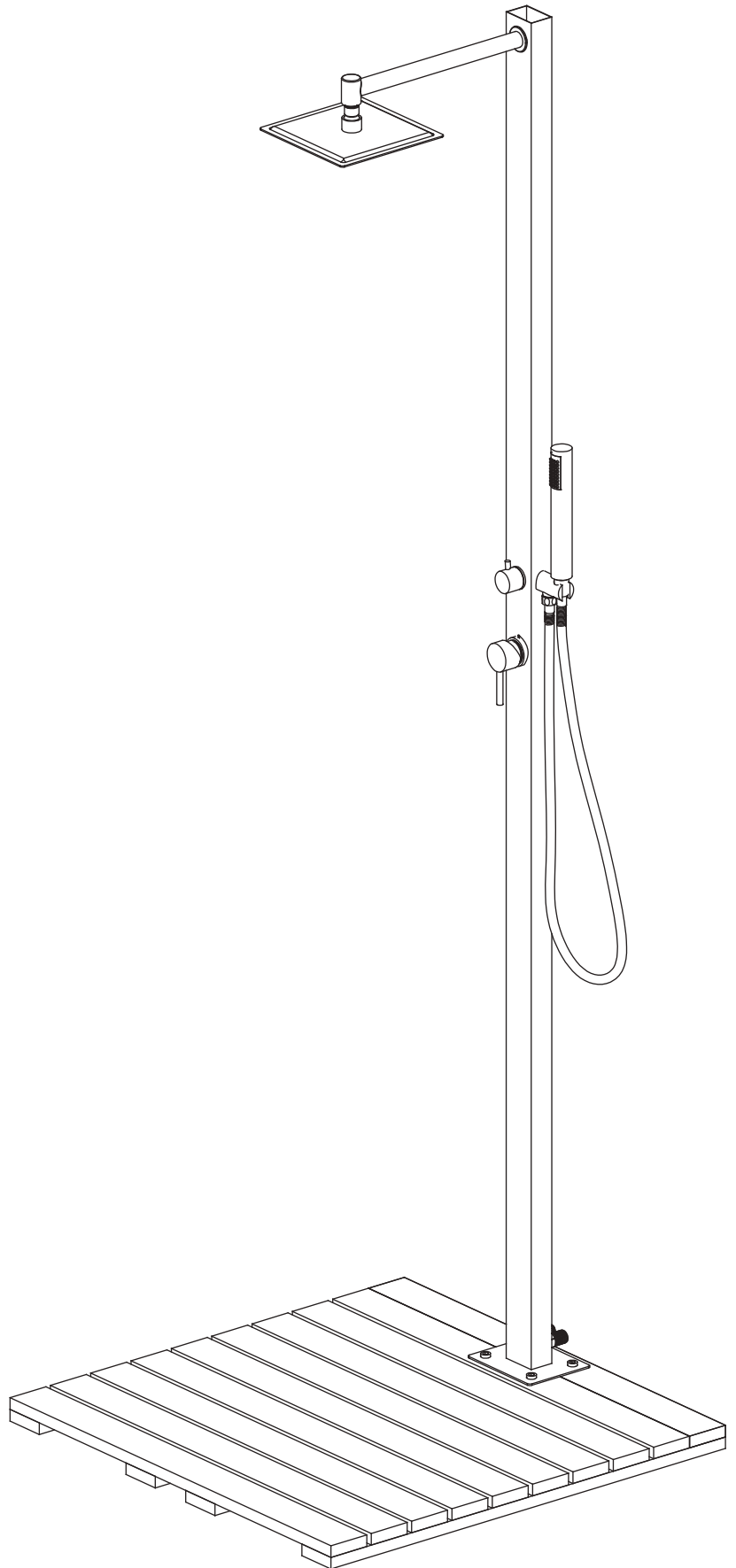
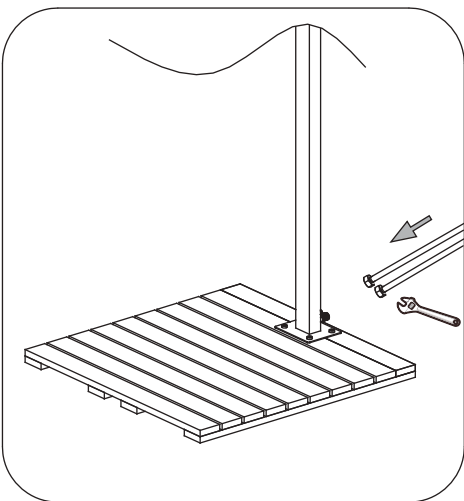
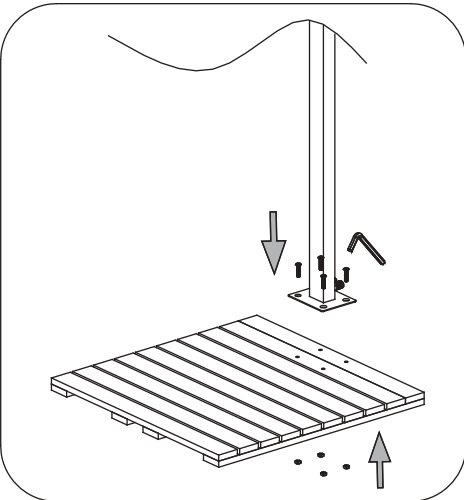
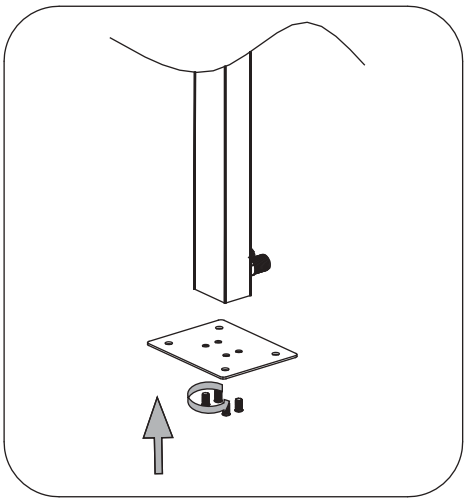
Please note that Parts are for illustrative purposes only and may differ slightly to the actual product

# Installation











# Using

To control the temperature, turn the temperature control handle until the desired temperature is reached.

To avoid water freezing, it's suggested to move the product in door in winter, if not convenient to move it, customer need to disassemble the water-in hoses and let the water inside flow out, to keep the pipe dry and empty, to avoid any water frozen inside.

## Troubleshooting

### **Water dripping after being turned off**

1. Does the water stop dripping after a period of time, if so this is normal as the water within the unit needs to drain away , so some dripping may occur
2. Does the dripping continue, if so the flow control valve for the function that is dripping, will need to be replaced.

# Cleaning

To maintain the surface of your product, wipe with a clean damp cloth and wipe dry, do not use any abrasive cleaning agents or materials .

It is recommended to wipe and dry on a regular basis.

## ***For more information***

- visit [betterbathrooms.com](http://betterbathrooms.com)
- email [customerservices@buyitdirect.co.uk](mailto:customerservices@buyitdirect.co.uk)
- call 0330 390 3062
- write to Trident Business Park, Neptune Way, Huddersfield, HD2 1UA

**better**   
**bathrooms**

Part of the BuyItDirect Group